

## ST-10E-EG Hinge

Position control · Constant torque

### Features

- Smooth, zero backlash operation
- Space efficient design provides high torque in minimum space
- Constant torque, never needs adjusting

### Material

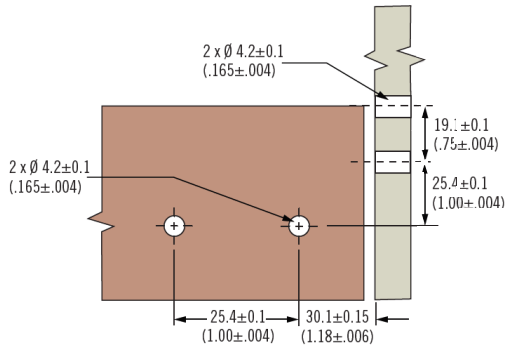
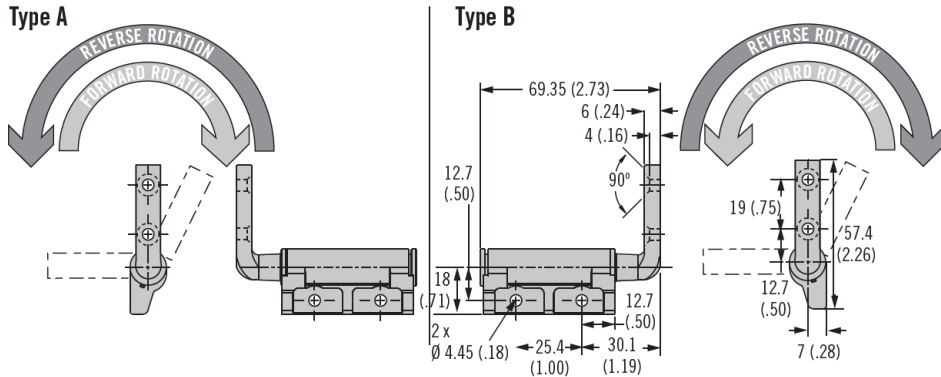
- Zinc alloy and steel, natural

### Product Performance

- Cycle performance: 20,000 cycles within  $\pm 20\%$  of static torque specification

### Installation Notes

- Install hinge using M4 socket head cap screw
- For proper function, assembly must include one type A and one type B hinge



Symmetric Torque Versions		
Part Number		Static Torque (Forward and Reverse) N·m (in·lbf)
Type A	Type B	
ST-10E-120SE-33	ST-10E-120SG-33	1.35 (12)
ST-10E-200SE-33	ST-10E-200SG-33	2.26 (20)
ST-10E-280SE-33	ST-10E-280SG-33	3.16 (28)
ST-10E-360SE-33	ST-10E-360SG-33	4.06 (36)

Asymmetric Torque Versions			
Part Number		Static Torque N·m (in·lbf)	
Type A	Type B	Forward N·m (in·lbf)	Reverse N·m (in·lbf)
ST-10E-200FE-33	ST-10E-200FG-33	2.26 (20)	1.35 (12)
ST-10E-280FE-33	ST-10E-280FG-33	3.16 (28)	2.26 (20)
ST-10E-360FE-33	ST-10E-360FG-33	4.06 (36)	2.44 (21.6)
ST-10E-440FE-33	ST-10E-440FG-33	4.97 (44)	2.93 (26)
ST-10E-200RE-33	ST-10E-200RG-33	1.35 (12)	2.26 (20)
ST-10E-280RE-33	ST-10E-280RG-33	2.26 (20)	3.16 (28)
ST-10E-360RE-33	ST-10E-360RG-33	2.44 (21.6)	4.06 (36)
ST-10E-440RE-33	ST-10E-440RG-33	2.93 (26)	4.97 (44)